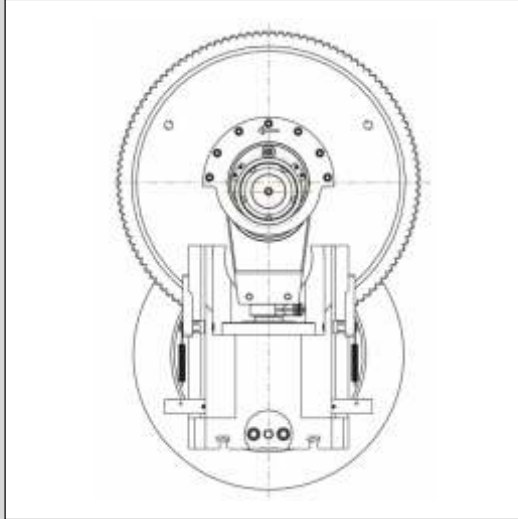


Back Sided C Frame Eccentric Press (4 Guide Ram)



- Pneumatic clutch brake system
- Rigid body and ram
- User friendly ram adjustment
- V type 4 guide ram
- Helical, high quality gear system
- Sfero casting parts
- Hydraulic overload safety system according to customer requests
- Automatic stroke adjustment for specified tons
- Ergonomic design
- Compliance with 2006-42 machinery directives



Technical Specifications

Properties	Unit	CDCS 600 P	CDCS 800 P	CDCS 1250 P	CDCS 1500 P
Capacity	tons	60	80	125	150
Rated tonnage point	mm	4,5	4,5	6	6
Max. shut die height	mm	360	390	450	500
Stroke distance	mm	4/102	4/102	5/110	5/110
Stroke per minute	spm	54	54	51	51
Die hole diameter	mm	45	45	50	50
Throat depth	mm	245	255	300	330
Slide adjustment	mm	90	90	90	95
Ram dimension	mm	460x300	460x300	500x350	500x350
Table dimension	mm	750x500	860x540	900x640	1000x700
Table hole diameter	mm	170	180	200	210
Press height (~)	mm	2290	2375	2575	2670
Press depth (~)	mm	1850	2010	2345	2450
Press width (~)	mm	1100	1100	1300	1360
Motor power	kW	7,5	7,5	11	11
Bolster plate	-	Optional	Optional	Optional	Optional
Stroke system	-	Adjustable	Adjustable	Adjustable	Adjustable
Overload safety system	-	Mechanical	Mechanical	Mechanical	Mechanical
Centralized lubrication system	-	Automatic grease	Automatic grease	Automatic grease	Automatic grease
Safety guard system	-	Photocell	Photocell	Photocell	Photocell
Slide adjustment	-	Manuel	Manuel	Manuel	Manuel
Speed control unit	-	Optional	Optional	Optional	Optional

We reserve the rights to make changes in design and drawing. The accessories of the machines shown on the catalogue may vary depending on the type of requested machine.

